

VFC Series (Flat Curve)

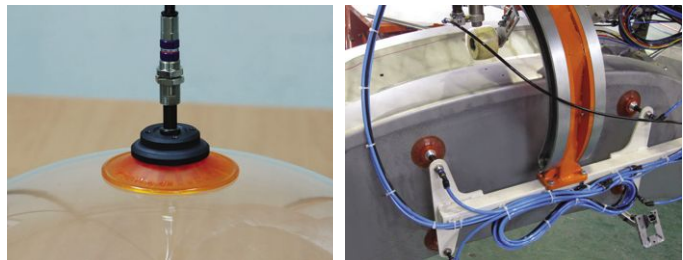
Features and Strengths

This cup is specifically designed to cope with both flat and curved surfaces, which means that multiple objects can be handled with the same suction cup.



Suitable for Handling

- Automotive Windscreens, Roof and Door.
- Sheet Metal
- Shaped Sheet Metal Panels
- TV Cathode ray Tube



Order No.

VFC50 PU - 1838MF - L1820T BJ 18

① ② ③ ④ ⑤

▶ See pages 45, 60-67.

① Diameter

- **VFC50** – Ø50
- VFC60 – Ø60
- VFC60X1 – Ø60
- VFC75 – Ø75
- VFC75X1 – Ø75
- VFC75X2 – Ø75
- VFC90 – Ø90*
- VFC100 – Ø100

*Only for PU Material

② Material

- N – NBR
- S – Silicon
- WS – White Silicon
- HS – High Temp. Silicon
- CS – Conductive (Special mat'l)
- U – Urethane
- A – Mark free
- **PU** – Poly Urethane*
- WPU – Poly Urethane* (Minimal mark)

*Only for VFC50, VFC60, VFC75, VFC90, VFC100

③ Thread size

- M10M – M10XP1,5 male (VFC60X1, VFC75X1)
- M16M – M16XP1,0 male (VFC75X2)
- **1838MF** – G1/8" female and G3/8" male (VFC50, VFC60, VFC75)
- 18F(A) – G1/8" female (VFC90, VFC100)
- 14F(A) – G1/4" (VFC90, VFC100)
- 38F(A) – G3/8" female (VFC90, VFC100)
- 12F(A) – G1/2" female (VFC90, VFC100)

Remark : VFC90, 100 fittings are including mesh filter.
(A) : AL-Material

Accessories order No.

L 1820T

④

BJ 18



⑤

④ Level compensator		⑤ Ball joint model
Model	Stroke	
L1805M	5	<ul style="list-style-type: none"> • BJ 18
L1810T	10	
L1810TS, L1810TSE	10	
L1815T, L1815	15	
• L1820T, L1820TS	20	
L1820TN*	20	
L1830	30	
L1830T, L1830TS	30	
L1850	50	
L1850T	50	
L1230	30	BJ 12
L1230T	30	
L1250	50	
L1250T	50	

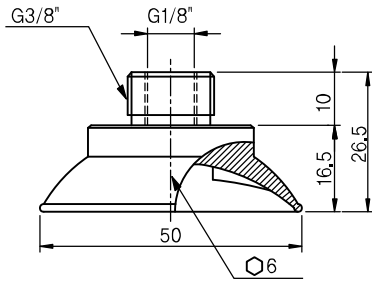
* Not available with ball joint(BJ)

SUCTION CUPS

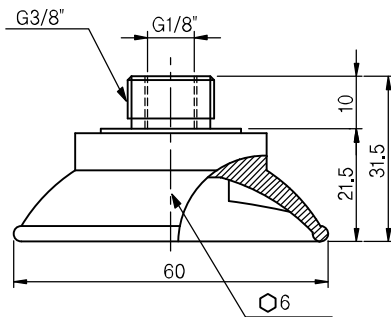
Recommended (max.) lifting forces

Model	Volume (cm ³)	Lifting Force (kg) - Perpendicular 			Lifting Force (kg) - Parallel 		
		-20 kPa	-60kPa	-90kPa	-20 kPa	-60kPa	-90kPa
VFC50	10	2.85	6.94	10.2	2.61	6.34	8.2
VFC60	20	4.55	11.57	15.3	3.05	7.92	10.7
VFC60X1	20	4.55	11.57	15.3	3.05	7.92	10.7
VFC75	30	7.65	19.38	25.51	6.19	15.46	20.9
VFC75X1	30	7.65	19.38	25.51	6.19	15.46	20.9
VFC75X2	30	7.65	19.38	25.51	6.19	15.46	20.9
VFC90	60	9.8	24.82	32.65	9.52	21.59	27.89
VFC100	80	12.75	35.71	46.93	12.24	23.97	28.57

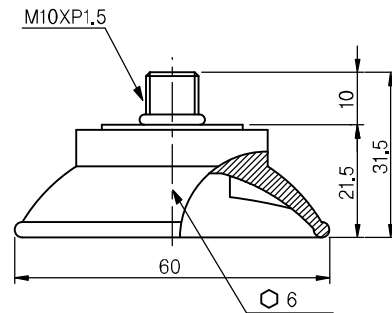
Dimensional Information



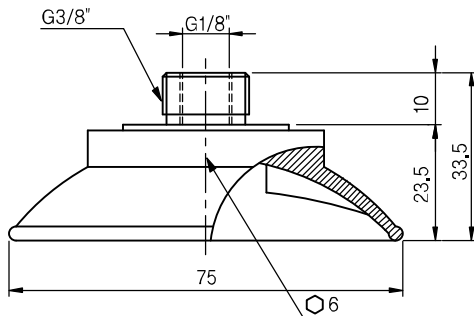
VFC50-1838MF



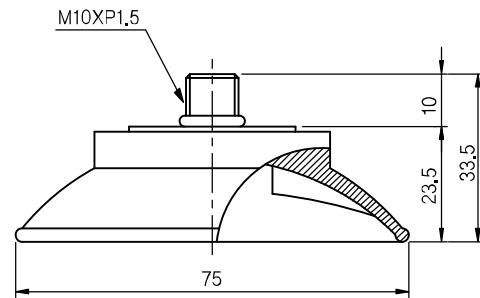
VFC60-1838MF



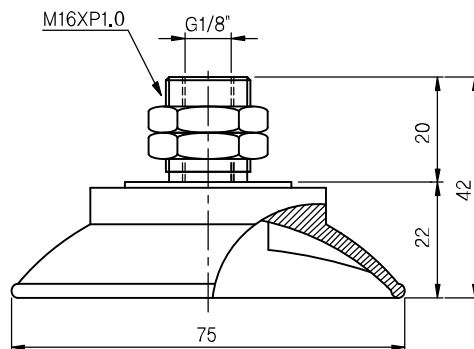
VFC60 X 1



VFC75-1838MF



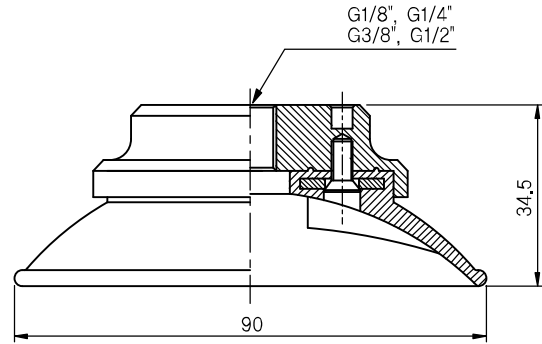
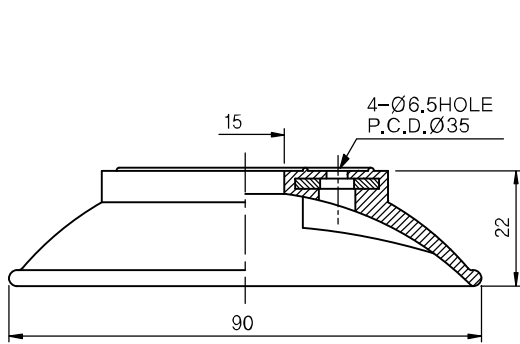
VFC75 X 1



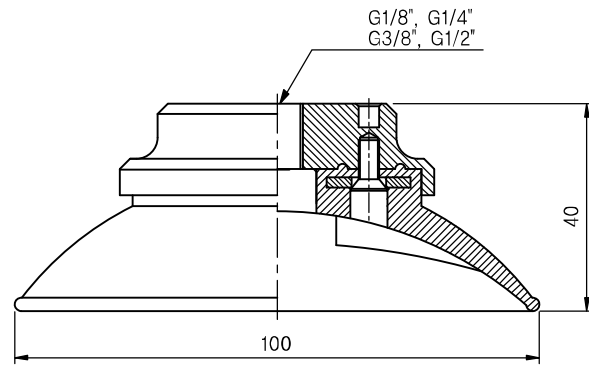
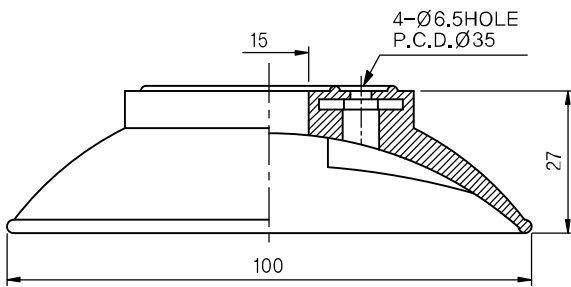
VFC75 X 2

[Measure unit : mm]

Dimensional Information



VFC90



VFC100

[Measure unit : mm]